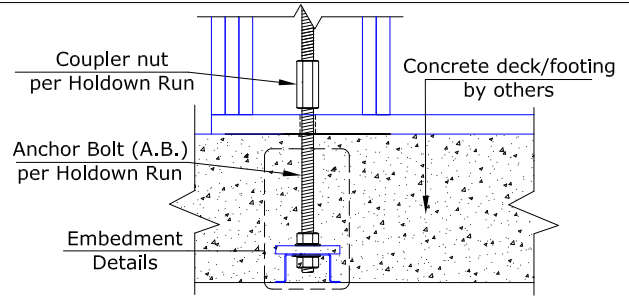




Run Starts

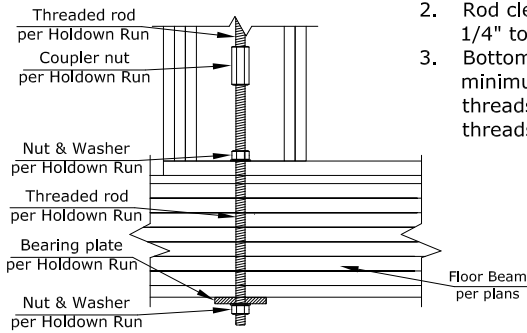
Runs may be started in concrete, through a wood beam or on a steel beam. Based on our observations more problems begin with concrete mislocations than with any other single cause.

Anchor Bolts shall have a minimum clearance above concrete and mudsill of 1-1/2", to allow proper coupler nut installation. Unless otherwise specified we design for the **anchor bolt to project 6"** above the concrete.



Beam Starts

Wood Beam Starts (WBS)



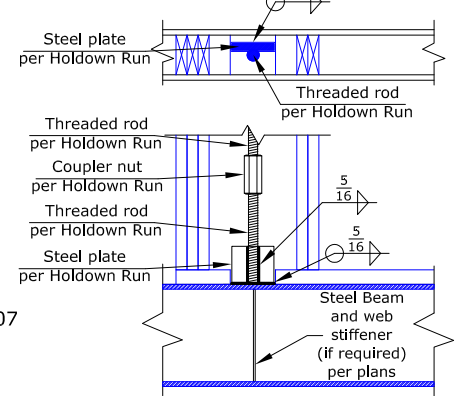
Wood Beam Starts:

1. Wood beam start components are per Holdown Run elevation.
2. Rod clearance hole is drilled 1/4" to 1/2" oversized.
3. Bottom nut shall have a minimum of three exposed threads to lock nut.

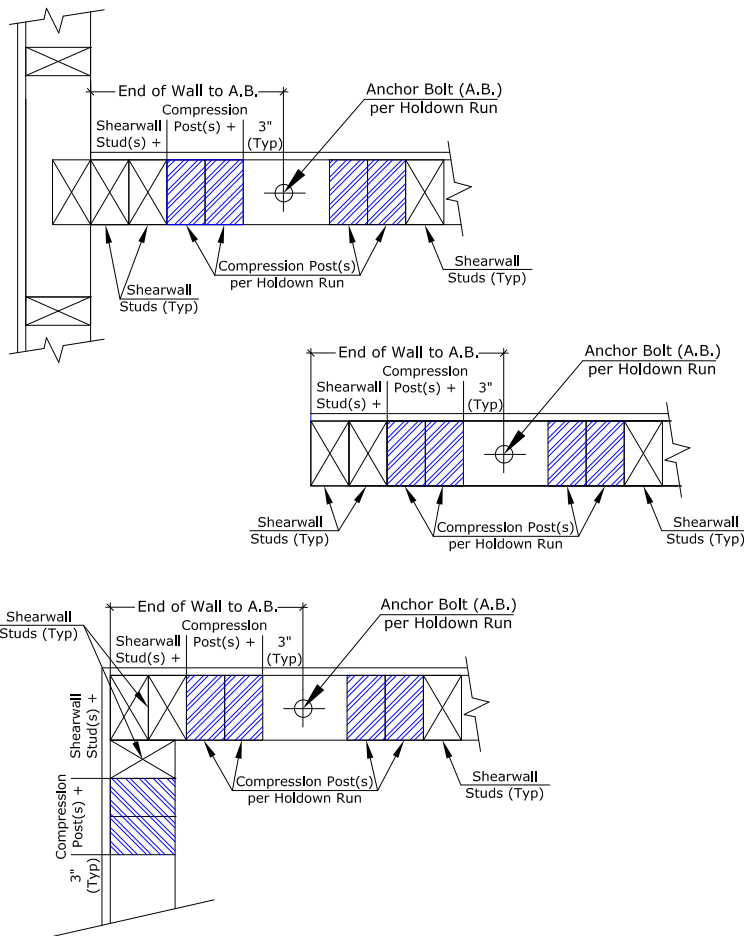
Steel Beam Start:

1. Beam start components are per Holdown Run elevation.
2. Plate material is ASTM A36 per Holdown Run elevation.
3. Steel beam start threaded rod is standard grade ASTM A36 or A307 per Holdown Run elevation.
4. Other configurations and details available

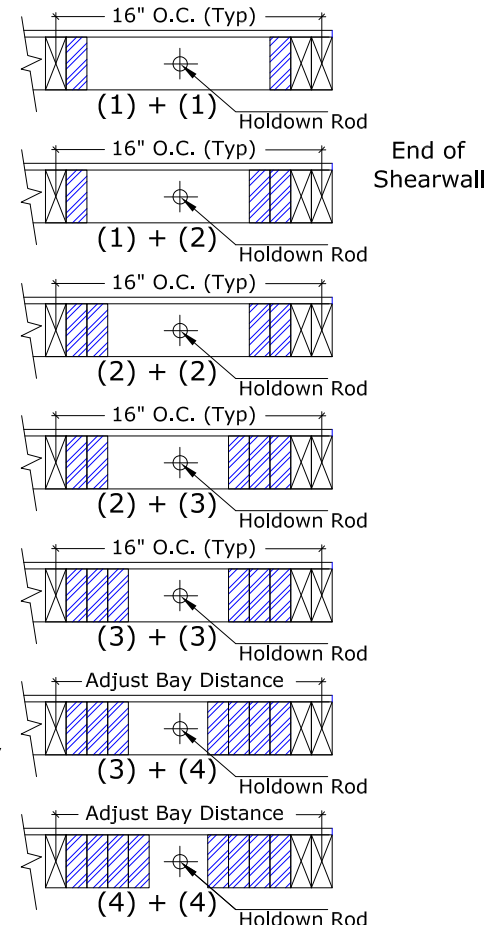
Steel Beam Starts (SBS)



Typ. A.B. - Post Layout



Typical Post Stacking



When 7 or more 2x studs are stacked adjust end bay distance to fit.